



Integrated security solution

with NDE and LE wireless locks featuring ENGAGE™ technology and Brivo



Overview

Schlage® NDE or LE locks with ENGAGE™ technology seamlessly integrate with Brivo to provide a cost effective and scalable access control solution to meet your security needs.

The Schlage NDE/LE wireless locks with ENGAGE technology are designed to be easy to install, connect, manage and use. Developed specifically for facilities that want to upgrade to electronic credentials for improved security and efficiency, it is ideal for interior office doors, common area doors and sensitive storage spaces.

Brivo specializes in cloud-based building security solutions. Brivo's innovative physical access control and video solutions empower organizations by giving administrators real-time visibility of security events and video in local or remote facilities—anytime, anywhere.

Brivo also supports AD Series locks allowing you to combine both lock platforms into a single solution.

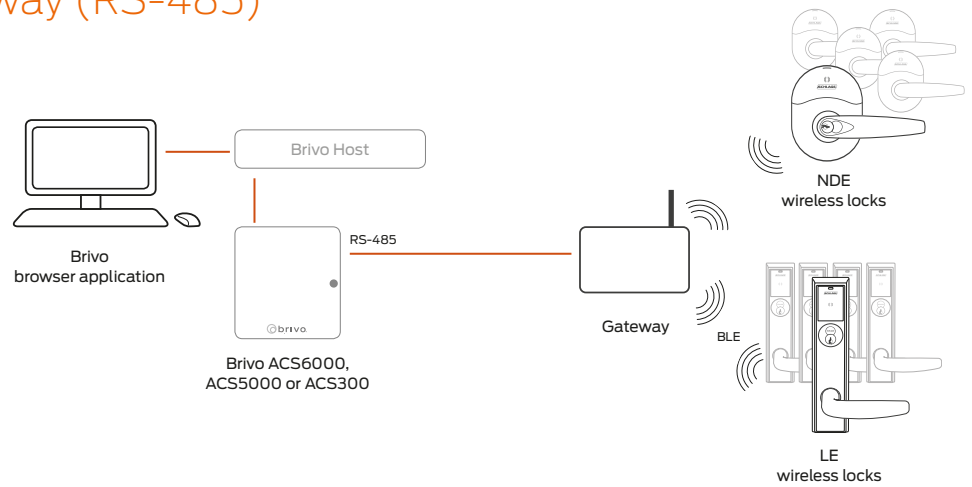
System Capabilities Summary

- Multi-technology reader (125 kHz proximity and 13.56 MHz smart)
- AES-256 bit encrypted
- Classroom/Storeroom function for NDE/LE and optional Privacy, Office and Apartment functions for LE locks
- Cylindrical chassis for NDE and mortise chassis for LE locks
- Compatible with major brands of key systems
- Powered by four (4) standard off-the-shelf AA batteries
- ANSI/BHMA A156.25, ANSI/BHMA Grade 1, UL 294, UL10C, FCC Part 15, ADA, RoHS, Industry Canada (IC)

NDE/LE locks via Gateway (RS-485)

- ACS300 support up to 30 NDE/LE locks total across up to 4 GWE on a single RS-485 port
- ACS6000 and ACS5000 support up to 30 NDE/LE locks total across up to 4 GWE on a single RS-485 port
- Gateway communication range up to 30' in typical building environments; a detailed site survey is recommended*

* Reference ENGAGE Gateway data sheet for additional details.



Note:

Please refer to NDE/LE locks and ENGAGE Gateway data sheets for complete specifications.

For additional information contact Brivo Inc.: 1.866.MY.BRIVO or sales@brivo.com

System capabilities:

	NDE/LE locks via Gateway (RS-485)
Features	
Maximum number of locks supported by controller	30
Maximum number of locks supported via network access ¹	N/A
Maximum number of gateways per controller/Host	4
Maximum number of NDE/LE locks per gateway	10
Access control decision made by Host software or by lock database	Host
Remote linking capability via Host	No
Update frequency	N/A
Schedules	Yes
Holiday	Yes
Credentials	
Multi-technology - 125kHz proximity and 13.56 MHz smart credentials	Yes
PIV and PIV-I card compatible	N/A
Status monitors	
Request to exit	Yes
Door position	Yes
Mechanical key override	N/A
Request to enter	N/A
Low battery status	Yes
Communication Status BLE/RS-485	Yes
Remote lockdown/unlock	Yes (<5 sec)
Interior push button - LE only	No
Mortise deadbolt - LE only	No
Lock functions	
Classroom/storeroom	Yes
Privacy - LE only	No
Office - LE only	No
Apartment - LE only	No
Licensing	
Please contact Brivo to determine licensing requirements	

1. Only applies to Direct Wi-Fi locks and IP Gateway architecture

Please contact Brivo for additional details on integrated features and credentials supported.

Supported credential formats

Proximity card (125 kHz):

- AWID®
- GE/CASI®
- HID®
- Schlage®
- XceedID®

Smart card (13.56 MHz):

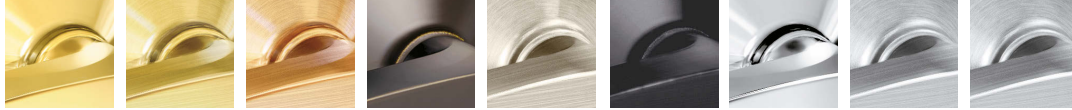
- Schlage® MIFARE Classic®
- Schlage MIFARE Plus®
- Schlage MIFARE® DESFire® EV1
- aptiQ™ MIFARE Classic
- aptiQ MIFARE DESFire EV1

Smart card (13.56 MHz) - reads card serial number only:

- HID iCLASS®
- DESFire®
- MIFARE®
- MIFARE DESFire EV1

Note: Additional card format info on ENGAGE™ Cloud-based Web and Mobile Applications Data Sheet.

Finishes



605 Bright brass 606 Satin brass 612 Satin bronze 643e Aged bronze 619 Satin nickel 622 Matte black 625 Bright chrome 626 Satin chrome 626AM Satin chrome with antimicrobial

Lever styles

These nine lever styles are the most common across the NDE/LE, and also suite across the mechanical portfolio. The LE is available in 31 levers and two knob styles including most M Series decorative lever options.



03/Tubular (TLR)



06/Rhodes (RHO)



07/Athens (ATH)



17/Sparta (SPA)



M81/Boardwalk (BRK)*



M52/Broadway (BRW)*



Latitude (LAT)*



Longitude (LON)*



Omega (OME)

*Available Q1 2018.

Escutcheon styles

LE



Addison escutcheon



Greenwich sectional

NDE



Allegion, the Allegion logo, aptiQ, ENGAGE, the ENGAGE logo, Schlage, the Schlage logo and XceedID are trademarks of Allegion plc, its subsidiaries and/or affiliates in the United States and other countries. All other trademarks are the property of their respective owners.

About Allegion

Allegion (NYSE: ALLE) is a global pioneer in safety and security, with leading brands like CISA®, Interflex®, LCN®, Schlage®, SimonsVoss® and Von Duprin®. Focusing on security around the door and adjacent areas, Allegion produces a range of solutions for homes, businesses, schools and other institutions. Allegion is a \$2 billion company, with products sold in almost 130 countries. For more, visit www.allegion.com.

KRYPTONITE ■ LCN ■  ■ STEELCRAFT ■ VON DUPRIN



© 2018 Allegion
011290, Rev. 02/18
www.allegion.com/us