

Firmware Upgrade

When first registered and connected to the Brivo Onair cloud service, your ACS300 will automatically download and install the latest firmware. This process may take several minutes, so do not disconnect or cut power to your ACS300 during this process. If you encounter any difficulties, please contact Brivo Technical Support at 866-274-8648 or email customer@brivo.com.

ACS300 Power Specifications

Power Out	Voltage	Current (Max)
Relays (wet)	11.4 - 12VDC	350mA each
Wiegand Readers	11.4 - 12VDC	350mA each
RS-485	11.4 - 12VDC	350mA
Relays (dry - inductive)	28VDC (max)	6A

Power In	Voltage	Wattage (Max)
DC Input	12VDC	25 watts (fully loaded)
PoE +	44 - 57VDC	25.5 watts (fully loaded)

ACS300 Panel Light Indicators

Front Panel		Meaning
Health	Connect	
Mostly Solid (Slow blink every 15 seconds)	Solid	Unit is healthy and connected to host server
Mostly Solid (Slow blink every 15 seconds)	Off	Unit is healthy but not connected to host server
Blinking	Solid	Unit not healthy
Blinking	Blinking	Unit not healthy and not connected to host server
Off	Off	No Power

Mounting

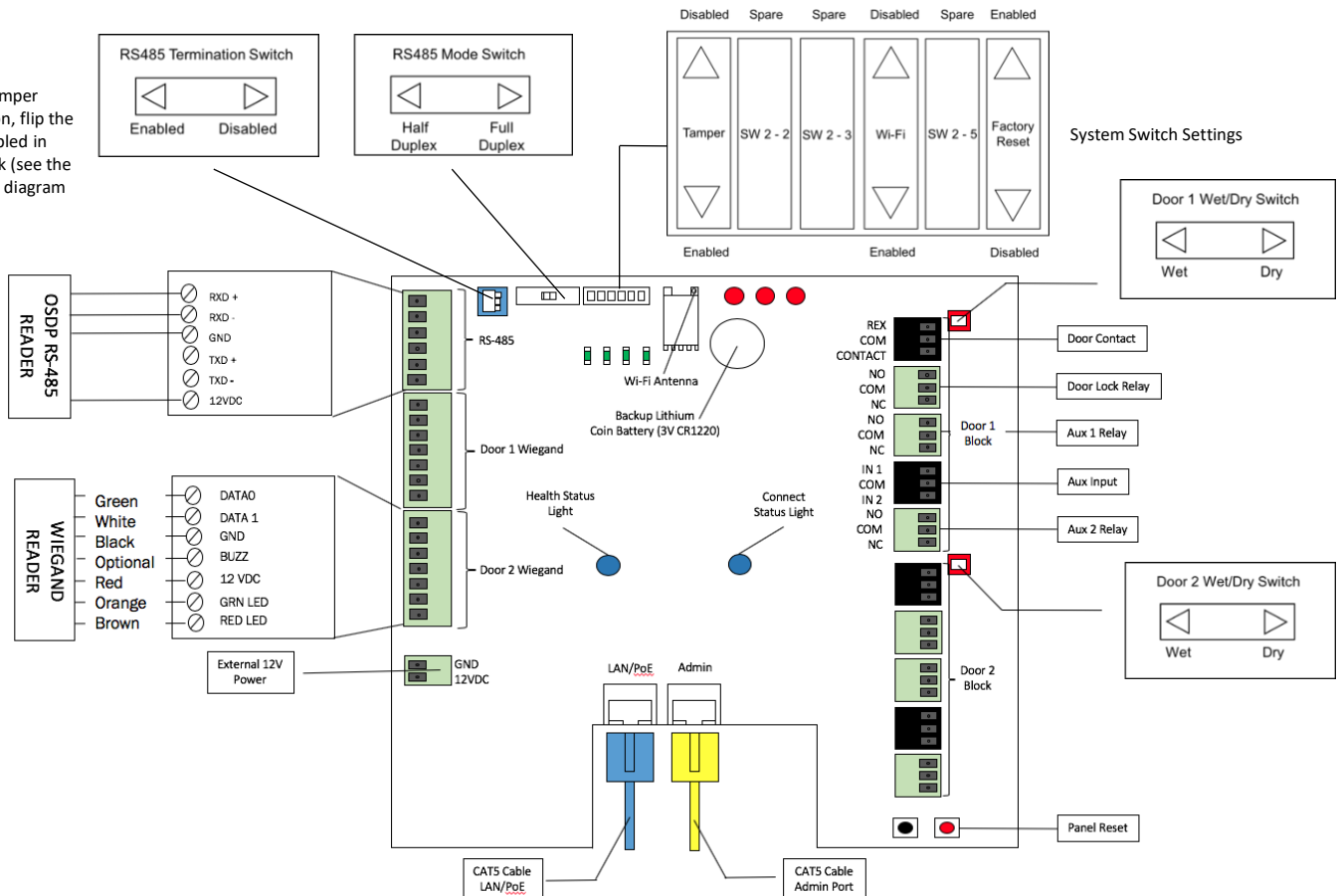
Mount the box directly to drywall using the four outer corner screw mounting holes (red below) (or two alternate positions) (blue below) on the back of the ACS300 enclosure. Additionally, the installer can remove the printed circuit board (PCB) and mount the ACS300 enclosure directly to a 4" square electrical junction box (green below).

Wiring can enter through the back of the ACS300 enclosure through the drywall, or wiring can come up through the bottom opening of the ACS300 enclosure in front of the drywall or mounting backboard.



Wiring

Note: To silence the tamper alarm during installation, flip the Tamper Switch to Disabled in the System Switch Bank (see the System Switch Settings diagram to the right).



Wi-Fi Configuration

1. Connect a CAT5 cable to the LAN/PoE port (left port) on the ACS300. This will power up the ACS300 unit if the CAT5 cable is connected to a PoE+ switch.
2. Verify connectivity using the ACS300 Panel Light Indicators table (on the opposite page).
3. Turn off all internet connections to your computer.
4. Connect your computer via CAT5 cable to the Admin port (right port) on the ACS300.
5. Open your Internet browser, and type in the following IP address into the address bar:

192.168.207.1

6. When prompted, enter the following:
 - User name: **cli**
 - Password: **new5cli**
7. From the main page of the Networking Admin Interface, click on the **Networking** tab and then click on the **WiFi** sub tab.
8. When the **WiFi** settings page appears, make sure the **Enable WiFi** checkbox is checked.
9. Enter the **SSID** name of your WiFi network or select from the list of available **SSIDs** automatically populated after scan.
10. Enter the **WPA Passphrase** (and check the **Hide Passphrase** checkbox if you want the field hashed).
11. The default setting is **DHCP**. If you choose **Static** settings, refer to the *Panel Networking Admin Interface Guide* for further instructions on static networking configuration.
12. Click **Save**.
13. Disconnect your computer from the ACS300.
14. Log into your **Brivo Onair** account.
15. Click on the **Setup** dropdown menu, choose the **Site/Doors** tab, then click on the **Control Panels** link.
16. If the panel has already been added to the Brivo Onair account, the **Last Contact** field should be populated with today's date and a recent timestamp. This indicates successful configuration of the ACS300.

Troubleshooting

Panel not yet added to Brivo Onair account	Refer to <i>Brivo Onair Account Quick Start Guide</i> available at www.brivo.com/techdocs
Panel added to Brivo Onair account, but Last Contact field remains empty.	Refer to the <i>Panel Networking Admin Interface Guide</i> available at www.brivo.com/techdocs

Questions

Review the *ACS300 Installation Manual* at www.brivo.com/techdocs

Call Brivo Customer Care at (866) 274-8648

Email customercare@brivo.com

Legal Disclaimers

The product is designated FOR INDOOR USE ONLY. The product is sensitive to Electrostatic Discharges (ESD). The product may be damaged or destroyed if handled or wired improperly. Follow all safe handling and installation precautions at all times.

UL 294 Performance Levels					
Model Number	Access Control Line Security Level	Destructive Attack Level	Endurance Level	Stand-by Power Level	Conditions
Brivo ACS300 A, E, S	Level I	Level I	Level IV	Level I	N/A